

# BT tyro

## Electric Powered Pallet Truck - 1.5 ton

The LHE150 is the perfect entry model for light electric pallet truck applications.

Capacity of the truck is 1500 kg and it is equipped with Li-Ion technology for energy efficiency.

It combines the features of a powered pallet truck with the flexibility of a hand pallet truck (HPT).



## FEATURES & ADVANTAGES

### Battery & Charger

- Lithium-Ion battery
- Long-life maintenance free
- Quick and easy charging
- Can be charged inside and outside of truck



### Maneuvering & Driving

- Similar dimensions as HPT
- Drive with tiller arm in upright position
- Speed reduction when cornering
- Butterfly switch and easy to use buttons
- Climber wheels are standard



### Safety & Technology

- LED display with battery discharge indication
- PIN-code panel as standard
- Turtle speed mode



Lithium-Ion battery for Increased productivity



Pin Code for Access control

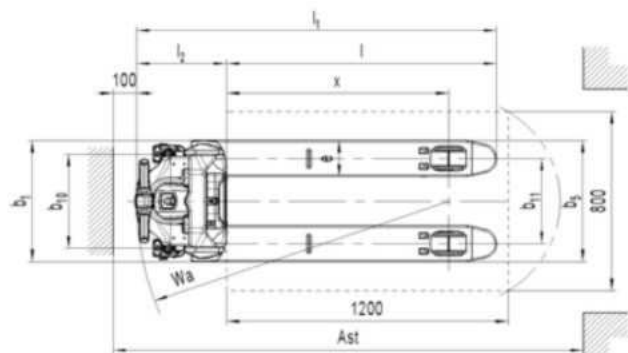
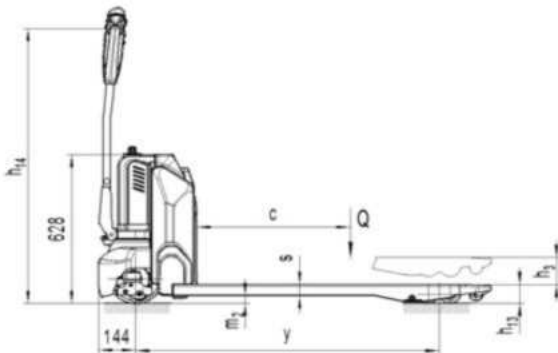


Effortless maneuverability, Light and compact



Ergonomic design perfect For confined areas

Data sheet				
Distinguishing mark	1.1	Manufacturer's type designation	LHE150	
	1.2	Power	Battery	
	1.3	Operator type	Pedestrian / Stand	
	1.4	Load Capacity / rated load	Q (t)	1.5
	1.5	Load centre distance	c (mm)	600
	1.6	Load distance, centre of drive axle to fork	x(mm)	947
	1.7	Wheelbase	y (mm)	1185
Weight	2.1	Service weight	kg	123   126
	2.2	Axle loading, laden	front/rear kg	623 / 1000   626 / 1000
	2.3	Axle loading, unladen	front/ rear kg	96 / 27   99 / 27
Tires, chassis	3.1	Tires	Polyurethane (PU)	
	3.2	Drive wheel	Ø x w (mm)	Ø 210x70
	3.3	Fork wheels	Ø x w (mm)	Ø 80x93 (Boggie Ø 80x70)
	3.4	Castor wheels	Ø x w (mm)	Ø 80x30
	3.5	Wheels, number front/ rear (x=driven wheels)	1x +2/ 2 (1x +2/ 4)	
	3.6	Tread, front	b10 (mm)	420
	3.7	Tread, rear	b11 (mm)	380   525
Dimensions	4.1	Lift height	h3 (mm)	195
	4.2	Height of tiller in drive position min. / max.	h14 (mm)	700 / 1160
	4.3	Height lowered	h13 (mm)	80
	4.4	Overall length	l1 (mm)	1530
	4.5	Length to face of forks	l2 (mm)	380
	4.6	Overall width	b1 (mm)	540   685
	4.7	Fork dimensions	s/e/l (mm)	47 / 160 / 1150
	4.8	Width across forks	b5 (mm)	540   685
	4.9	Ground clearance, centre of wheelbase	m2 (mm)	33
	4.10	Aisle width for pallets 800X1200 lengthways	Ast(mm)	2000
	4.11	Turning radius	Wa (mm)	1330
Performance	5.1	Travel speed, laden/ unladen	km/h	4.6 / 4.8
	5.2	Lift speed, laden/ unladen	m/s	0.020 / 0.025
	5.3	Lowering speed, laden / unladen	m/s	0.05 / 0.04
	5.4	Gradeability, laden/ unladen	%	0.25
	5.5	Service brake	Electromagnetic	
Motors	6.1	Drive motor rating S2 60min	kW	0.65
	6.2	Lift motor rating at S3 10%	kW	0.5
	6.3	Battery voltage, nominal capacity K5	24 / 20	
	6.4	Battery weight (minimum)	kg	4.6
	6.5	Energy consumption acc. to VDI cycle	KWh/h	0.22
Drive	7.1	Type of drive control	DC - Speed Control	
	7.2	Sound level at driver's ear acc. to EN 12053	dB(A)	69



## ENERGY ADVANCE CO., LTD

77/7 Moo 9 Soi Suwinthawong 33 Suwinthawong Road, Lampakchee, Nongchok, Bangkok 10530

Tel: 02-077-9608 | Fax: 02-175-4325 | E-mail: info@energyadvance.co.th | Web: www.energyadvance.co.th

**TOYOTA**

TOYOTA MATERIAL HANDLING INDIA